



H Type Air-Cooled Condensers

Air-Cooled condenser is a kind of radiating facility matched with cooling equipment. There are three types available : H、 V and W. H type is side blowing, V and W type are top blowing.

The features as follows:

- Condensers are of reasonable structure, good compatibility and can be matched with various compressors;
- The shell is made of quality steel with powder coating, which is corrosion-resistant and beautiful;
- The condensers are tested under air pressure 2.875MPa, make sure the products' high gas tightness;
- Different refrigerants like R22, R134a and R407c are workable;
- According to customer's requirement, different condenser fans are available.



Tech.data for FNH type air-cooled condenser

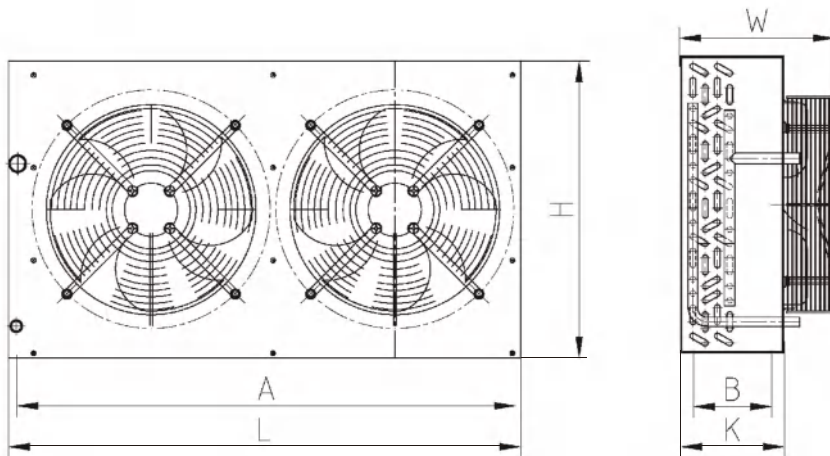
Model	Heat exchange capacity (kW)	Surface (m ²)	Copper pipe arrangement	Fan					Outlet tube (mm)	Inlet tube (mm)
				Qty	Fan Dia φ (mm)	Air volume (m ³ /h)	Power (W)	Voltage (V)		
FNH-0.6/2	0.6	2	2*4	1	200	425	1*30	220	10	10
FNH-0.9/3	0.9	3	3*4	1	200	425	1*30	220	10	10
FNH-1.2/4	1.2	4	3*5	1	200	425	1*30	220	10	10
FNH-1.7/6	1.7	6	3*6	1	300	1850	1*110	220/380	10	10
FNH-2.5/8.5	2.5	8.5	3*8	1	350	2750	1*135	220/380	16	16
FNH-4.6/15	4.6	15	4*9	1	350	2750	1*135	220/380	16	19
FNH-5.4/18	5.4	18	4*10	1	400	3500	1*190	380	16	19
FNH-6.4/22	6.4	22	5*10	1	400	3500	1*190	380	16	19
FNH-6.4/22B	6.4	22	4*8	2	350	5500	2*135	380	16	19
FNH-7.3/28	7.3	28	4*9	2	350	5500	2*135	380	16	16
FNH-9.7/33	9.7	33	4*10	2	400	7000	2*190	380	16	16
FNH-12.0/41	12.0	41	5*10	2	400	7000	2*190	380	16	19
FNH-13.8/50	13.8	50	5*12	2	400	7000	2*190	380	16	19
FNH-16.2/60	16.2	60	4*12	2	400	7000	2*190	380	19	22
FNH-20.7/70	20.7	70	4*18	4	350	11000	4*135	380	19	25
FNH-23.0/80	23.0	80	4*20	4	400	14000	4*190	380	19	25
FNH-27.6/100	27.6	100	5*20	4	400	14000	4*190	380	19	28
FNH-33.3/120	33.3	120	5*24	4	400	14000	4*190	380	22	32
FNH-39.8/140	39.8	140	5*24	4	450	20200	4*250	380	22	32
FNH-45.6/160	45.6	160	5*26	4	450	20200	4*250	380	22	32
FNH-49.9/180	49.9	180	5*26	4	450	20200	4*250	380	22	32

Note: capacity is based on R22, condensing temperature 50°C and ambient 35°C.

The overall and installation dimensions for FNH type air-cooled condenser

Model	Overall dimensions (mm)					
	L	K	H	A	B	W
FNH-0.6/2	320	130	250	265	70	205
FNH-0.9/3	320	130	250	265	70	205
FNH-1.2/4	340	130	300	285	70	205
FNH-1.7/6	460	160	385	370	90	240
FNH-2.5/8.5	480	160	435	420	90	250
FNH-4.6/15	560	170	480	490	130	270
FNH-5.4/18	640	180	540	570	140	280
FNH-6.4/22	640	180	540	570	140	280
FNH-6.4/22B	950	150	430	870	140	250
FNH-7.3/28	950	170	480	870	140	270
FNH-9.7/33	1010	180	540	930	140	280
FNH-12.0/41	1010	180	540	930	140	280
FNH-13.8/50	1010	200	640	930	150	300
FNH-17.2/60	1270	235	640	1180	185	335
FNH-20.7/70	1170	235	940	1080	150	365
FNH-23.0/80	1170	235	1040	1080	150	365
FNH-27.6/100	1170	235	1040	1080	150	365
FNH-33.3/120	1200	235	1240	1110	150	365
FNH-39.8/140	1280	250	1240	1170	170	385
FNH-45.6/160	1340	250	1340	1230	170	385
FNH-49.9/180	1460	250	1340	1350	170	385

Note: capacity is based on R22, condensing temperature 50°C and ambient 35°C.



Tech.data for copeland type air-cooled condenser

Model	Heat exchange capacity (kW)	Surface (m ²)	Fan				Outlet tube (mm)	Inlet tube (mm)	
			Qty	Fan Dia φ (mm)	Air volume (m ³ /h)	Power (W)			Voltage (V)
FNHC-25-3	6.6	25	1	400	3500	190	380V 3Ph 50Hz	16	19
FNHC-35-4	9.1	35	1	450	5050	250		16	19
FNHC-41-5	10.8	41	1	500	6500	420		19	22
FNHC-55-8	14.5	55	1	550	7500	550		19	22
FNHC-80-10	21.0	80	2	500	13000	2*420		19	25
FNHC-110-15	28.8	110	2	550	15000	2*550		22	28

Note: capacity is based on R22, condensing temperature 50°C and ambient 35°C.

The overall and installtion dimensions

Model	Overall dimensions (mm)					
	A	B	C	D	E	F
FNHC-25-3	630	330	540	230	660	140
FNHC-35-4	730	330	590	230	760	150
FNHC-41-5	810	330	690	230	840	150
FNHC-55-8	900	375	840	230	930	150
FNHC-80-10	1175	390	940	250	1205	170
FNHC-110-15	1360	405	890	270	1390	170

